

SDU Development Information

Development Name:
DAWN - STAGE 6C 1-2
Developer Company:
JG Walloon Development Pty Ltd
Development Address:
PARKLAND DR, WALLOON
Authorised Rep:
PE CONSULTING ENGINEERS
Phone: 07 5596 1425
E-Mail: urd@pece.com.au
nbn Reference Number: STG-M000131082
Stage Number: 6C1-2
Design Revision: A

BILL OF MATERIAL

NO OF LOTS: 75

PITS		DUCTS	
SIZE	QTY	SIZE	QTY MTRS
2	15	P100	749.3
5	16	P50	407.3
6	0	P20	528.6
8	7		
9	0		

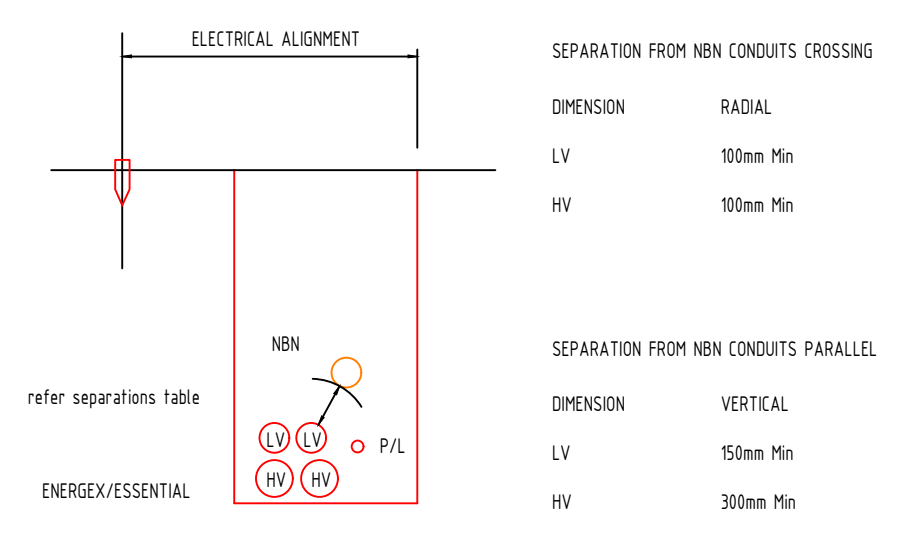
TOTAL NUMBER OF PITS: 38
TOTAL NUMBER OF MANHOLES: 0
TOTAL NUMBER OF CONDUITS: 112
TOTAL LENGTH OF CONDUITS: 1685.2

East Coast Electrical QLD PTY LTD
AS CONSTRUCTED
DATE: 08/12/2023
SIGNED: *James Cornford*

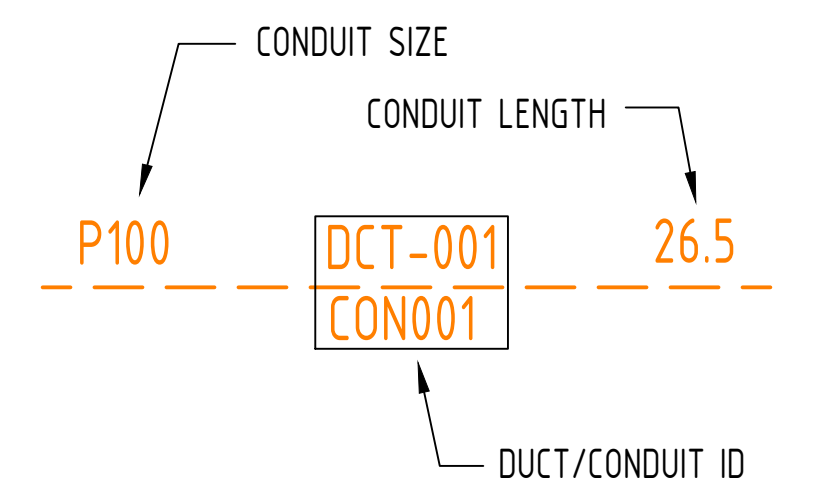
NBN SYMBOL LEGEND

- Transformer / Kiosk / Pad Mount Sub-station / Pole Mount Transformer
- PIT-ID 5 Network Boundary/Local Network Pit (Single Lid) (700mmX450mmX650mm)
- PIT-ID 8 Distribution/Local Network Connection Pit (1360mmX555mmX860mm)
- PIT-ID 9 Fibre Distribution Hub (FDH) Pit (2000mmX555mmX900mm)
- Shared Trench Symbol
- Energex Pillar

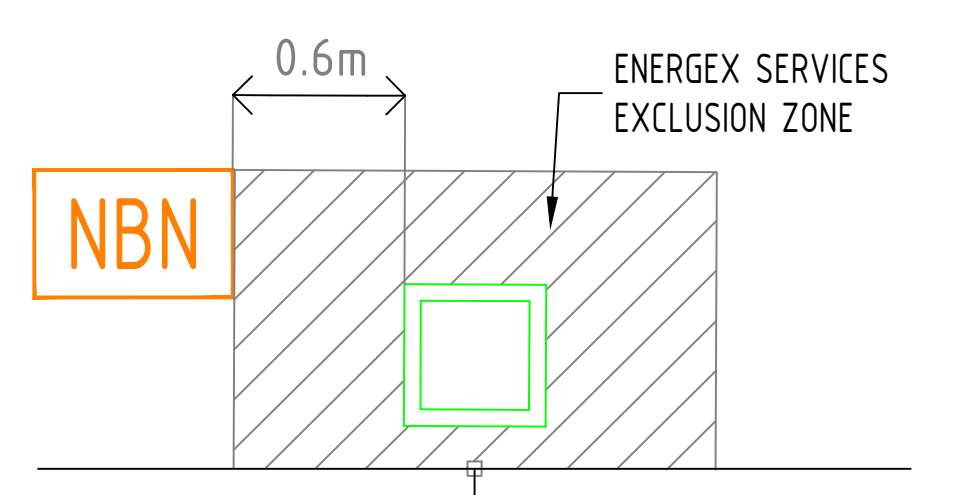
TRENCH SECTION



CONDUIT CONFIGURATION



STANDARD NBN PIT OFFSET TO ENERGEX PILLAR



WHERE PITS ARE NOT LOCATED BESIDE PILLARS, OFFSETS WILL BE SHOWN ON THE LAYOUT TO THE NEAREST TRUNCATION. IF NO OFFSET DISTANCE IS SHOWN, PLEASE CONTACT DESIGN CONSULTANT PRIOR TO INSTALLATION.



REV	DATE	DRAFTER	DESCRIPTION	APPROVED
A	11.05.23	AI	ISSUED FOR CONSTRUCTION	

STRICTLY CONFIDENTIAL

NBNC0 APPROVAL RECORD:

SIGNATURE _____ DATE _____

QUALITY RECORD:

NBNC0 DISCLAIMER
THIS DOCUMENT HAS BEEN PREPARED SOLELY FOR THE USE OF NBNC0 LIMITED (ABN 86 136 533 741) FOR USE IN MAINTAINING NBNC0 FACILITIES. IT HAS NOT BEEN CREATED FOR ANY OTHER USE. IT SHOULD NOT BE SCALED TO LOCATE NBNC0 ASSETS. NO WARRANTY IS GIVEN THAT THE INFORMATION IS ACCURATE OR COMPLETE.

PE CONSULTING ENGINEERS
STREET ADDRESS: U14, 39 Lawrence Dr, Nanning QLD 4211
POSTAL ADDRESS: PO Box 2853, Nanning DC QLD 4211
TELEPHONE: (07) 5596 1425
EMAIL: urd@pece.com.au
WEB: www.pece.com.au

KEY PLAN

DRAWING TITLE:
STG-M000131082
PIT & PIPE LAYOUT
75 LOT SUBDIVISION
DAWN STAGE 6C 1-2, PARKLAND DR, WALLOON

ENABLED:

STATE: QLD REGION:

FSA: SAM: ADA:

PROJECT No: STG-M000131082

CADREF No:

SCALE: 1:500@A1 SHEET No. 1 OF 1 REV. A